

P4H-151C

P4H-151MB

P4H-151SS



Single Handle Pull Down Kitchen Faucet

Product Spec Sheet



FEATURES & BENEFITS

- This Product Contains Less Than 0.25% Weighted Average Lead Content On Wetted Surfaces
- Metal Lever Handle
- Ceramic Cartridge
- Optional Deck Plate Included
- Max Flow Rate 1.8GPM(6.8L/Min) At 60PSI (ASME A112.18.1/A112.18.1)

P4H-151C
Chrome Finish

P4H-151SS
Stainless Steel Finish

P4H-151MB
Matte Black

Approvals:

Meets or Exceeds The Following:

- * ANSI/ASME A112.18.1/A112.18.1
- * NSF/ANSI 61 - Sec. 9
- * NSF/ANSI 372
- * IAPMO/cUPC
- * NSF/ANSI/CAN 61: $Q \leq 1$



TEL: 855-806-0688

FAX: 845-350-4043

Visit Our Web Site : www.plumb4orce.com

P4H-151C

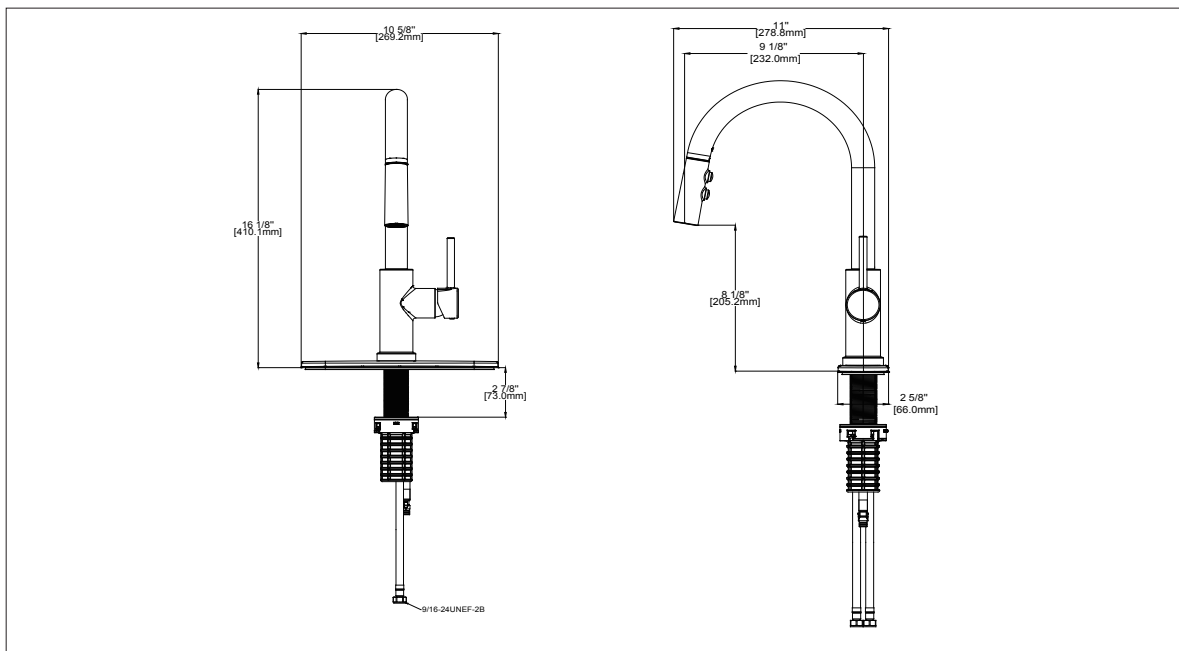
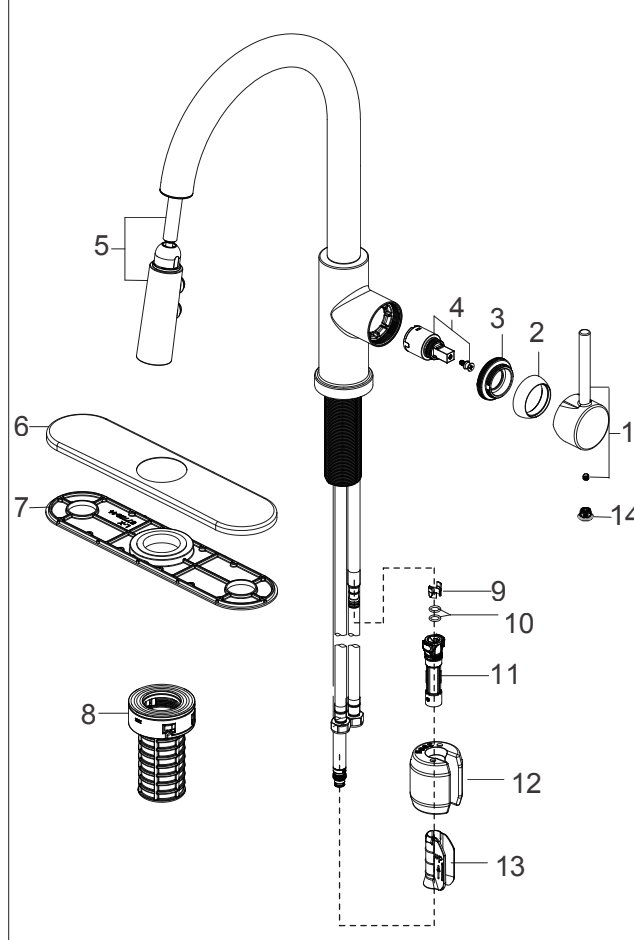
P4H-151SS

P4H-151MB

Single Handle Pull Down Kitchen Faucet

No.	Name	Part No.
1	Handle Assembly / Ensamblaje de la Llave	RP13701*
2	Cap / Tapa	RP80028*
3	Bonnet Nut / Tuerca del Bonete	RP70688
4	Cartridge & Screw / Cartucho y Tornillo	RP20052
5	Spray Head and Hose / Cabezal Rociador y Manguera	RP38526*
6	Deckplate / Placa de la Cubierta	RP80667*
7	Gasket / Junta	RP80755
8	Quick Install Nut / Tuerca de Instalación Rápida	RF56096
9	Block / Bloque	RP70421
10	O-Ring / Aro Tórico	RP60002
11	Quick connect assembly / Ensamblaje del conector rápido	RP70697
12	Weight / Peso	RP70689
13	Weight Clip / Sujetador Con Peso	RP64204
14	Index Bonnet	RP10098

* Specify Finish
* Especificque el Acabado



Product Spec Sheet

TEL: 855-806-0688

FAX: 845-350-4043

Visit Our Web Site : www.plumb4orce.com